

## Features

- Made from premium materials that withstand high-volume usage.
- 20" (508 mm) x 18" (457 mm).
- Faucet not included.
- Includes soap dispenser drilling on left.

## Material

- Vitreous china.

## Installation

- Wall-mount.
- Drilled for concealed arm carrier installation.

## Recommended Products/Accessories

K-8998 P-Trap  
K-23726 Drain treatment  
K-23725 Cast iron cleaner

## Included Components

Additional Components:  
Hanger(s)



ADA

CSA B651

OBC

## Codes/Standards

ASME A112.19.2/CSA B45.1  
All applicable US Federal and State material regulations  
ADA  
ICC/ANSI A117.1  
CSA B651  
OBC



## KOHLER® One-Year Limited Warranty

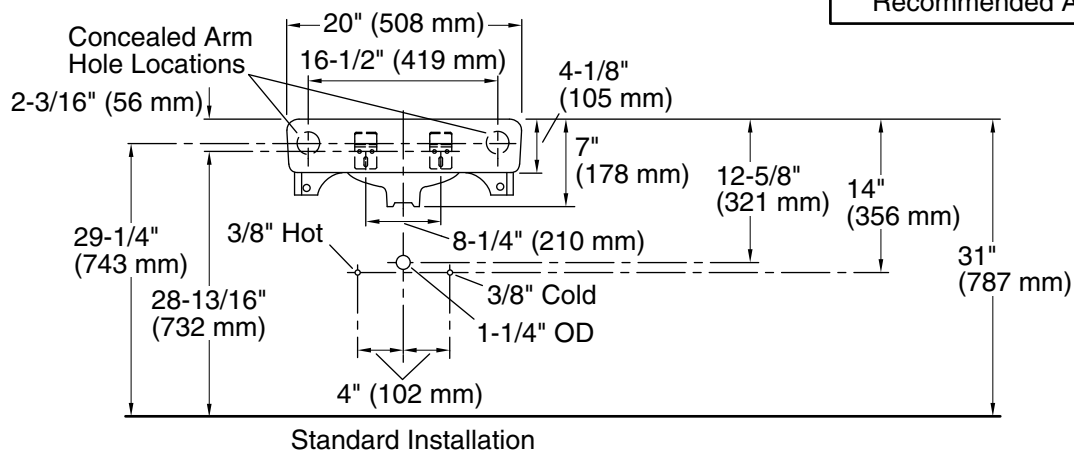
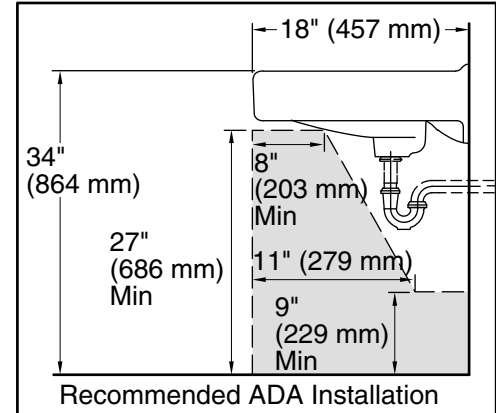
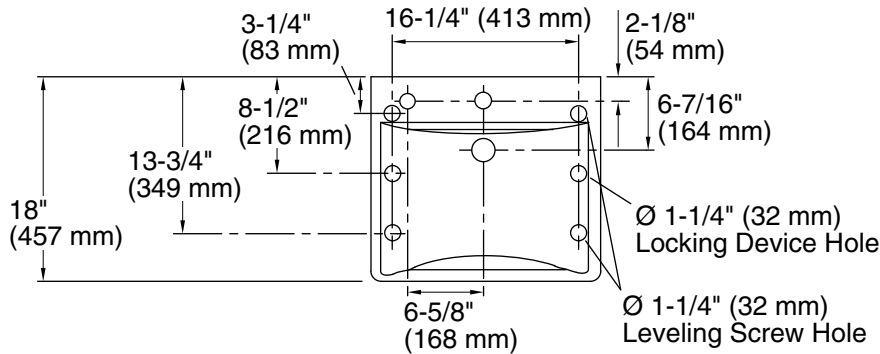
See website for detailed warranty information.

## Available Colors/Finishes

*Color tiles intended for reference only.*

| Color | Code | Description |
|-------|------|-------------|
|-------|------|-------------|

|   |   |              |
|---|---|--------------|
|  | 0 | White        |
|  | 7 | Black Black™ |



## Technical Information

All product dimensions are nominal.

|                       |   |
|-----------------------|---|
| Bowl configuration:   | Single  |
| Installation:         | Wall-mount  |
| Bowl area (Only):     | Length: 18" (457 mm)<br>Width: 13" (330 mm)<br>With overflow: Yes<br>Water depth: 4-7/8" (124 mm) |
| With overflow:        | Yes   |
| Number of deck holes: | 1   |
| Faucet hole(s):       | 1-3/8" (35 mm)  |
| Soap/Lotion hole:     | 1-1/4" (32 mm)  |
| Drain hole:           | 1-3/4" (44 mm)  |

## Notes

Install this product according to the installation instructions.

If an arm carrier is used, select a soap dispenser with a 1" (25 mm) maximum shank diameter to avoid interference with the arm carrier.

Use a soap dispenser with adequate shank length to extend through the 4-1/8" (105 mm) sink thickness.

ADA, OBC, CSA B651 compliant when installed to the specific requirements of these regulations.